



Arizona Vortex-Forum

- Leading the Way in Vortex Technology



**Toll Free
1-800-660-4060**

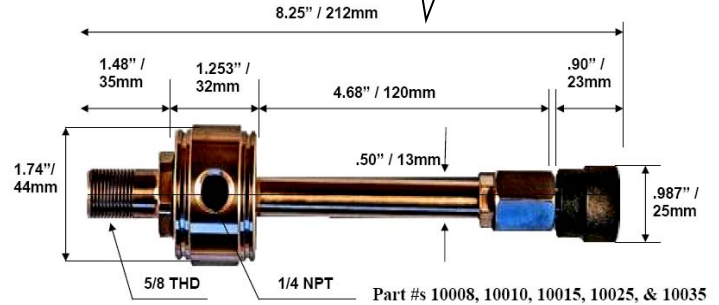
**Artic Air Temperatures
Using Only Compressed Air!**

The Arizona Vortex Tube will deliver cold air down to -50°F! The temperature and flow are completely adjustable using the black adjusting knob.

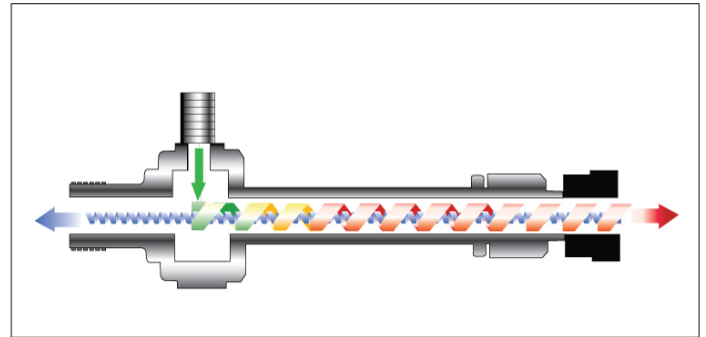
Uses:

- * Cool Machining Operations
- * Cool Mold Tools
- * Set Hot Glue Operations
- * Cool Drill Bits
- * Cool Sewing Needles
- * Cool Heat Sealing

The Arizona Vortex Tube will give you reliable performance with no moving parts. Stainless Steel Construction means it is built to withstand the corrosive environments of some facilities.



STAINLESS STEEL CONSTRUCTION!



MODEL	DESCRIPTION	PRICE
10008	Vortex Tube - 8 SCFM	\$ 135.00
10010	Vortex Tube - 10 SCFM	\$ 135.00
10015	Vortex Tube - 15 SCFM	\$ 135.00
10025	Vortex Tube - 25 SCFM	\$ 135.00
10035	Vortex Tube - 35 SCFM	\$ 135.00
10040	Vortex Tube Development Kit - Includes Vortex Tube, 8-35 SCFM generators, filter, and cold end muffler	\$ 230.00

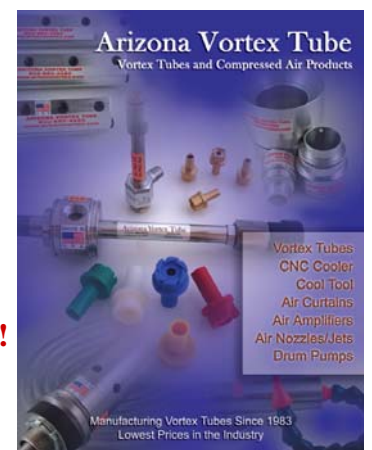
Questions? LOG On or EMAIL Us:
www.arizonavortex.com

info@arizonavortex.com

Questions or Concerns:
 Toll Free: 1-800-660-4060
 Worldwide: 1-928-684-5733
 FAX: 1-928-684-5752
 Email: info@arizonavortex.com
 Website: www.arizonavortex.com



FREE CATALOG!





Arizona Vortex Tube Mfg. Co.

51235 N. 296th Ave
Wickenburg, AZ 85390
928-684-5733

Toll Free
1-800-660-4060
Email: info@arizonavortex.com



CNC COOLER

Summer will be heating up fast! Don't let your control cabinet heat up. Install an Arizona Vortex CNC Cooler and forget about your heat related shut downs! Mounts

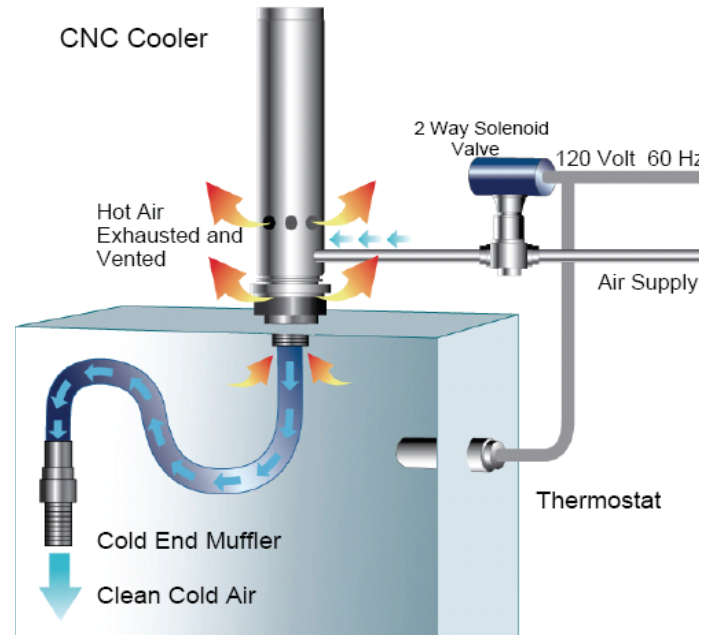
easily anywhere on the cabinet so it can be out of the operators way! This is a low cost solution to manage the temperatures inside control cabinets. The CNC Cooler will help you maintain NEMA ratings by creating positive pressure within the cabinet and along with relief valves built into the CNC Cooler, you can maintain the sealed nature of the cabinet.

STAINLESS STEEL CONSTRUCTION!

Real Applications:

- CNC Machining-Protect your investment
- PLCs
- Cool Industrial cameras
- Computer cabinets
- Motor Controls

MODEL	DESCRIPTION	PRICE
20025	CNC Cooler Only	\$ 235.00
20125	CNC Cooler with Filter	\$ 315.00
20325	CNC Cooler System—Includes Cooler, filter, Solenoid valve and thermostat pre-set at 90° F	\$ 445.00



Typical installation of 20325

Call About Your Application 1-800-660-4060

We're Here To Help!

For over 25 years we have been solving machining and industrial problems. A Vortex Tube is a Vortex Tube and an Air Curtain is an Air Curtain....

We just sell them for less!!

Manufactured here in Arizona, USA and shipped from stock directly to you. Please feel free to call or email one of our many experienced engineers today to talk about your application.

Arizona Vortex Guarantee:

If you are not completely satisfied with any product please return the product within 30 days and we will credit your account. This is in addition to our **5 Year** manufacturer defect warranty!

Questions or Concerns:
Toll Free: 1-800-660-4060
Worldwide: 1-928-684-5733
FAX: 1-928-684-5752
Email: info@arizonavortex.com
Website: www.arizonavortex.com

Crushing the Competition!

